

# Corona™ XP Direct - Clean Room

MEDICAL LUMINAIRE



## PRODUCT INFORMATION



LIGHT SOURCE  
LENS  
HOUSING  
INSTALLATION

Nichia LED  
Clear, Frosted<sup>1</sup>, Prismatic<sup>1</sup>  
Aluminium alloy  
Recessed,  
T-bar mounted in suspended ceilings

## TECHNICAL SPECIFICATIONS

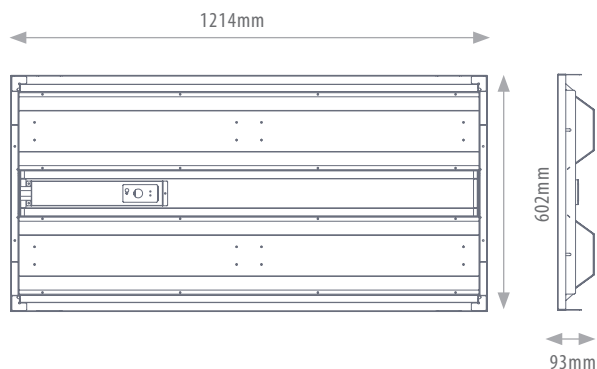
<b>INPUT VOLTAGE</b>	85-277VAC, 50/60Hz
Dimmable	Yes
Lifespan	50,000 hours
Power	35W, 45W, 70W
Beam Angle	160°
CCT*	4,210K Natural
CRI	95
COI#	2.0
IP	44

\* OTHER CCT OPTIONS AVAILABLE (NON CYANOSIS COMPLIANT) (NATA LABORATORY CERTIFIED TO AS/NZS 1680.2.5:1997)

#CYANOSIS OBSERVATION INDEX (NATA LABORATORY CERTIFIED TO AS/NZS 1680.2.5:1997)

<sup>1</sup> PRODUCT CODE CHANGES FOR:- FROSTED LENS (E.G. CORONAXP-600R-CY35WNF-D) & PRISMATIC LENS (E.G. CORONAXP-600R-CY35WNP-D)

## SCHEMATIC OF CORONAXPD-600S



## OUTPUT

	Cool White	Natural White	Warm White
20W	1,800 lm	1,650 lm	1,500 lm
26W	2,350 lm	2,200 lm	2,050 lm
40W	3,550 lm	3,350 lm	3,150 lm
50W	4,450 lm	4,150 lm	3,990 lm
70W	6,000 lm	5,600 lm	5,200 lm

PRODUCT CODE (XPH – NICHIA 219)	POWER	CCT	LENGTH (MM)	WIDTH (MM)	DEPTH (MM)	OUTPUT (LUMEN)
---------------------------------	-------	-----	-------------	------------	------------	----------------

CoronaXPD-600S-CY35WN-D	35W		602	602	93	~2,625 lm
CoronaXPD-1200R6-CY45WN	45W	~4,210K	1,214	602	93	~3,375 lm
CoronaXPD-1200R6-CY70WN-D	70W		1,214	602	93	~5,250 lm