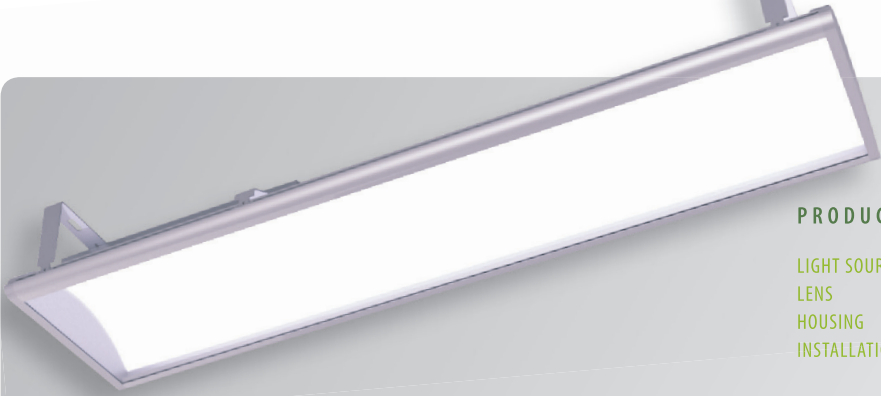


Corona™ XP Reflective - Clean Room

MEDICAL LUMINAIRE



PRODUCT INFORMATION

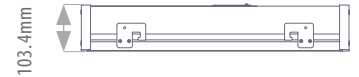
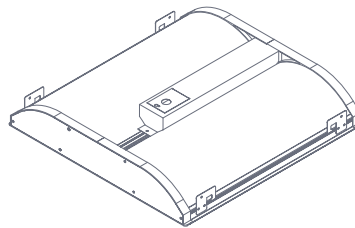
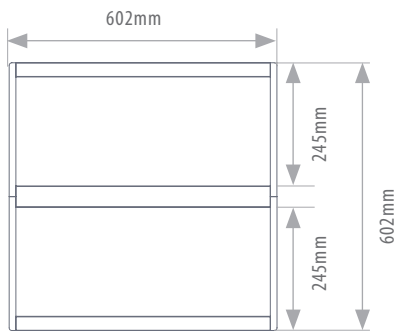
LIGHT SOURCE	Nichia LED
LENS	Clear, Frosted ¹ , Prismatic ¹
HOUSING	Aluminium alloy
INSTALLATION	Suspended, T-bar mounted in suspended ceiling

TECHNICAL SPECIFICATIONS

INPUT VOLTAGE	85-277VAC, 50/60Hz
Dimmable	Yes
Lifespan	50,000 hours
Power	35W, 45W, 60W, 70W
Beam Angle	160°
CCT*	4,210K Natural
CRI	95
COI#	2.0
IP	44

* OTHER CCT OPTIONS AVAILABLE (NON CYANOSIS COMPLIANT). #CYANOSIS OBSERVATION INDEX (NATA LABORATORY CERTIFIED TO AS/NZS 1680.2.5:1997)
 #CYANOSIS OBSERVATION INDEX (NATA LABORATORY CERTIFIED TO AS/NZS 1680.2.5:1997)
¹ PRODUCT CODE CHANGES FOR:- FROSTED LENS (E.G. CORONAXP-1200R1-CY35WNF-D) & PRISMATIC LENS (E.G. CORONAXP-1200R1-CY35WNP-D)

SCHEMATIC OF CORONAXP-600S



PRODUCT RANGE	POWER	CCT	LENGTH (MM)	WIDTH (MM)	DEPTH (MM)	OUTPUT
CoronaXP-1200R1-CY35WN-D	35W		1,200	150	145	~2,625 lm
CoronaXP-1200R-CY45WN-D	45W		1,200	300	145	~2,758 lm
CoronaXP-1200R-CY60WN-D	60W	~4210K	1,200	300	145	~4,200 lm
CoronaXP-600S-CY35WN-D	35W		602	602	103	~2,450 lm
CoronaXP-1200R6-CY70WN-D	70W		1,214	602	103	~4,900 lm