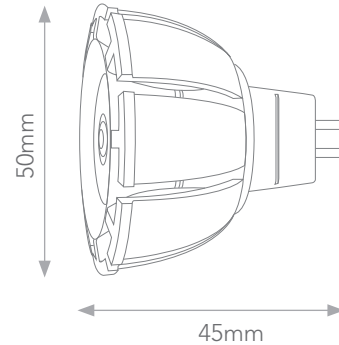


Polaris XPH 7W with Adaptive Technology

ADAPTIVE HIGH INTENSITY MR16 SPOTLIGHT

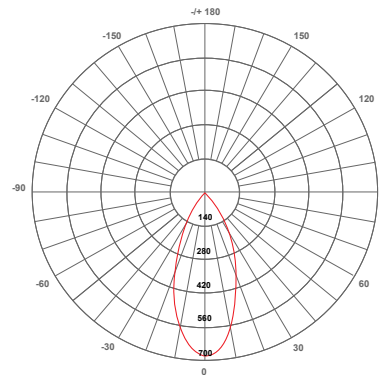


PRODUCT INFORMATION

Lamp Base	MR16 (GU5.3)	
Measurements	<i>Diameter</i>	<i>Length</i>
	50mm	45mm
Light Source	Sharp	
Lens	Optical glass with glare reduction	
Housing	Aluminium heatsink	

TECHNICAL SPECIFICATIONS

Input Voltage	12VDC, 50/60Hz	
Dimmable	Yes	
Lifespan	30,000 hours	
Efficacy	61 lm/W	
Luminous Flux	500 lm	
Luminous Intensity	1,290 cd	
Power Factor	0.92	
Power	7W	
Beam Angle	25° / 40°	
CRI	82	
CCT	4,000K	Natural White
	3,000K	Warm White
	2,700K	Warm White 2



Beam Angle = 40°

Distance	Beam Angle = 40°		Diameter	Lux
(m)			(m)	(lx)
0.5			0.37	2,720.0
1.0			0.73	680
2.0			1.46	170
3.0			2.19	75.6
4.0			2.92	42.5
5.0			3.65	27.2
6.0			4.38	18.9
7.0			5.11	13.9
8.0			5.84	10.6
9.0			6.57	8.4
10.0			7.30	6.8

Adaptive Technology analyses and adapts to virtually any waveform and works with most transformers and dimmers.

PRODUCT CODE BUILDER

e.g. PolarisXPH-AT7WMR16-W40

Product Range	Wattage	Lamp Base	CCT	Beam Angle
PolarisXPH-AT	7W	MR16	-N (Natural White)	25
			-W (Warm White)	40
			-W2 (Warm White)	



IES Files available at www.empyreanlighting.com/downloads