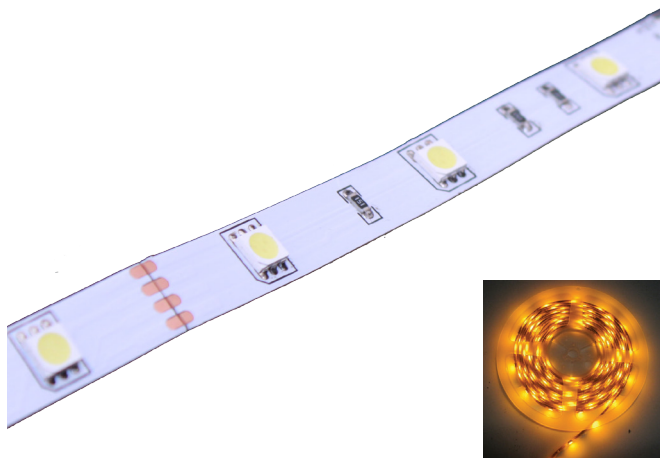


Starstream Standard & High Intensity

LED STRIP LIGHTING



3528 LED	5050 LED	12V	120°	IP20 Rating	L70 50,000hrs	Indoor	5m max. length
-------------	-------------	-----	------	----------------	------------------	--------	-------------------

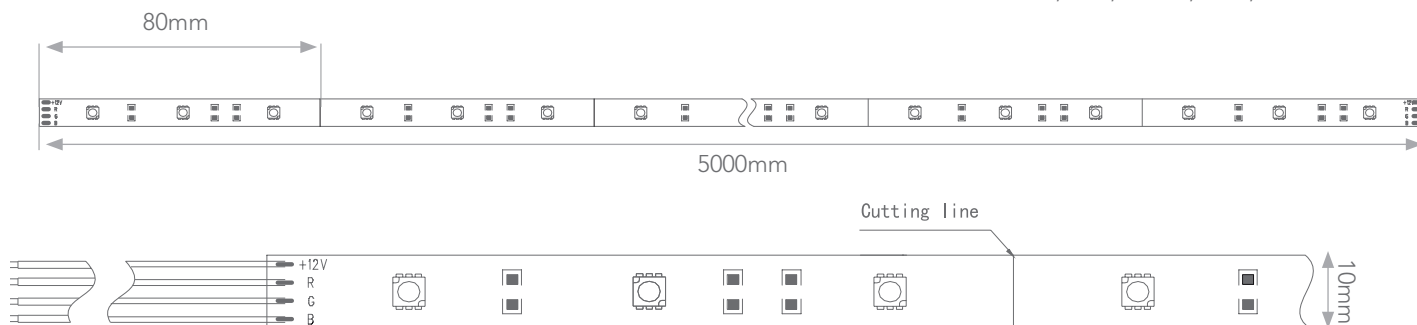


› PRODUCT INFORMATION

Measurements per roll	Length 2.5/5m	Width 10mm
Lens	Clear high strength PC	
Housing	Flexible circuit board Shock/vibration resistant Adhesive 3M backing	

› TECHNICAL SPECIFICATIONS

Input Voltage	12V, 50/60Hz
Dimmable	Optional
Lifespan	50,000 hours
Power	24W, 36W
Beam Angle	120°
CCT	~5,800K (Cool White) ~4,000K (Natural White) ~3,000K (Warm White) RGB, Red, Green, Blue, Yellow



Starstream-36W-5MC

› PRODUCT CODE BUILDER

e.g. Starstream-36W-5MC

Product Range	Power	Length (meters)	CCT
Starstream	-24W	-5M	C (Cool White)
StarstreamH	-36W	-2.5M	N (Natural White) W (Warm White) X (RGB) R (Red) G (Green) B (Blue) Y (Yellow)

	24W	36W
STANDARD		
Light Source	SMD 3528	SMD 5050
No. of LEDs	300 (60 per m)	150 (30 per m)
Max. Power Consumption	4.8 W/m	7.2 W/m
Output	~270 lm/m	~390 lm/m
HIGH INTENSITY		
Light Source	SMD 3528	SMD 5050
No. of LEDs	300 (120 per m)	150 (60 per m)
Max. Power Consumption	9.6 W/m	14.4 W/m
Output	~540 lm/m	~780 lm/m

