

Corona™ XP - IP65

INDUSTRIAL / EXTERNAL LUMINAIRE



PRODUCT INFORMATION

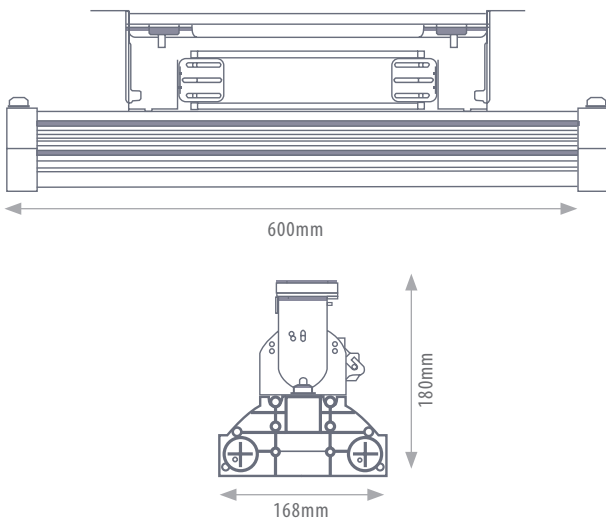
MEASUREMENTS	LENGTH	WIDTH	DEPTH
	600mm	168mm	180mm
WEIGHT	5.6kg		
LIGHT SOURCE	Nichia LED		
LENS	Clear, Frosted ¹ , Prismatic ¹		
HOUSING	Aluminium alloy (AL 6063)		
MOUNTING	Suspended, Wall Mounted, Recessed		

TECHNICAL SPECIFICATIONS

INPUT VOLTAGE	85-277VAC, 50/60Hz
DIMMABLE	Yes
LIFESPAN	50,000 hours
POWER	35W
LUMENS	2,625 lm
EFFICACY	90 lm/W
BEAM ANGLE	160°
CCT*	4,210K Natural
CRI	95
COI#	2.0
INGRESS PROTECTION	IP65

* OTHER CCT OPTIONS AVAILABLE (NON CYANOSIS COMPLIANT - COOL, NATURAL, WARM)
 #CYANOSIS OBSERVATION INDEX (NATA LABORATORY CERTIFIED TO AS/NZS 1680.2.5:1997)
¹ PRODUCT CODE CHANGES FOR:- FROSTED LENS (E.G. CORONAXP-600R-WPCY35WNF-D)
 & PRISMATIC LENS (E.G. CORONAXP-600R-WPCY35WNP-D)

SCHEMATIC OF CORONAXP-600R



PRODUCT CODE

CORONAXP-600R-WPCY35WN-D