



ELARA™ DECORATIVE HIGH BAY LUMINAIRES

Retro looks with Andromeda™ inspired performance. These luminaires are available in any RAL colour and look and perform like nothing else on the market.

Our Elara™ series:

- ◆ Uses 50%-75% less electricity than high intensity discharge lamps
- ◆ Have a lifespan of 50,000 hrs +
- ◆ Are available in any RAL colour
- ◆ Is available in a variety of power, lens types and articulations for any environment or application
- ◆ Start up and shut down immediately. Perfect for photo sensor or motion sensor controls
- ◆ Has low inrush and operating currents
- ◆ Contains no harmful or toxic substances (no Hg) and are fully recyclable
- ◆ Does not emit UV radiation and does not require UV blocking filters
- ◆ Eliminates mercury recycling costs

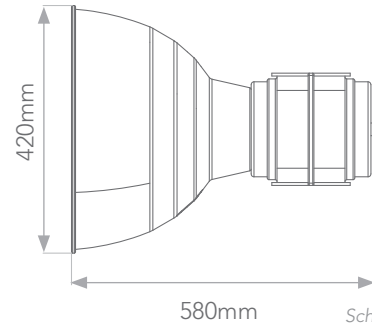


Product Range



© Copyright Emyprean Lighting 2014

DECORATIVE HIGH BAY



Schematic of ElaraL-40W

› PRODUCT INFORMATION

Measurements	<i>Height</i>	<i>Diameter</i>
	580mm	420mm
Light Source	Nichia High Power LED	
Lens	Customisable** IESNA Type I,II,III,V distribution	
Housing/ Trim	Aluminium alloy, Available in any RAL colour	

› TECHNICAL SPECIFICATIONS

Input Voltage	85-277VAC, 50/60Hz	
Lifespan	50,000hrs	
Power	40W - 120W	
Beam Angle	15° - 150° (Varied by lens)	
CRI	65 - Higher CRI is available	
CCT*	5,000-5,500K	Cool White
	4,200K	Natural White
IP	66	

* Refer to Andromeda™ for custom CCT options (Warm, AQ etc.)

** Refer to Andromeda™ Lens (page 9) for details

		40W	53W	67W	80W	93W	106W	120W
COOL WHITE	Efficacy	105 lm/W	105 lm/W	110 lm/W	110 lm/W	110 lm/W	110 lm/W	110 lm/W
	Luminous Flux	4,200 lm	5,565 lm	7,370 lm	8,800 lm	10,230 lm	11,660 lm	13,200 lm
NATURAL WHITE	Efficacy	100 lm/W	100 lm/W	105 lm/W	105 lm/W	105 lm/W	105 lm/W	105 lm/W
	Luminous Flux	4,000 lm	5,300 lm	7,035 lm	8,400 lm	9,765 lm	11,130 lm	12,600 lm

› PRODUCT CODE BUILDER

e.g. ElaraL-40W-NL81W

Product Range	Power	CCT	Lens	Trim
ElaraL	-40W	-C (Cool White)	L40	S (Silver)
	-53W	-N (Natural White)	L42	W (White)
	-67W		L61	B (Black)
	-80W		L64	R (Red)
	-93W		L81	G (Green)
	-106W			B (Blue)
	-120W			C (Custom)

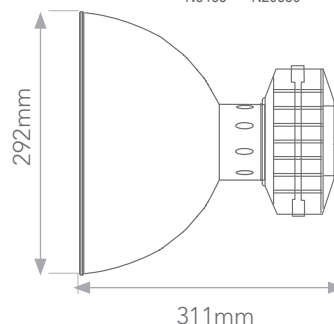
IES Files available at www.empyreanlighting.com/downloads

© Copyright Empyrean Lighting 2014



Elara – Short Neck

DECORATIVE HIGH BAY



Schematic of ElaraS-40W

› PRODUCT INFORMATION

Measurements	<i>Height</i>	<i>Diameter</i>
40W	311mm	292mm
80W	406mm	412mm
120W	461mm	480mm
Light Source	Nichia High Power LED	
Lens	Customisable** IESNA Type I,II,III,V distribution	
Housing/ Trim	Aluminium alloy, Available in any RAL colour	

› TECHNICAL SPECIFICATIONS

Input Voltage	85-277VAC, 50/60Hz	
Lifespan	50,000 hours	
Power	40W, 80W, 120W	
Beam Angle	15° - 150° (Varied by lens)	
CRI	>65 - Higher CRI is available	
CCT*	5,000-5,500K	Cool White
	4,200K	Natural White
IP	66	

* Refer to Andromeda™ for custom CCT options (Warm, AQ etc.)

** Refer to Andromeda™ Lens (page 9) for details

		40W	80W	120W
COOL WHITE	Efficacy	105 lm/W	110 lm/W	110 lm/W
	Luminous Flux	4,200 lm	8,800 lm	13,200 lm
NATURAL WHITE	Efficacy	100 lm/W	105 lm/W	105 lm/W
	Luminous Flux	4,000 lm	8,400 lm	12,600 lm

› PRODUCT CODE BUILDER

e.g. ElaraS-40W-NL81S

Product Range	Power	CCT	Lens	Trim	
ElaraS	-40W	-C (Cool White)	L40	S (Silver)	
	-80W	-N (Natural White)	L42	W (White)	
	-120W			L61	B (Black)
				L64	R (Red)
				L81	G (Green)
					B (Blue)
			C (Custom)		



IES Files available at www.empyreanlighting.com/downloads

© Copyright Empyrean Lighting 2014

