

POLARISTM LED SPOTLIGHTS

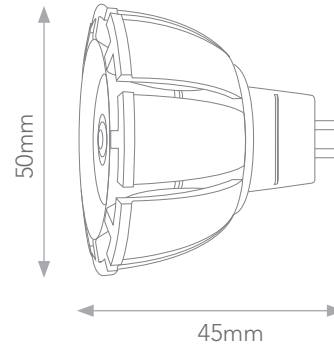
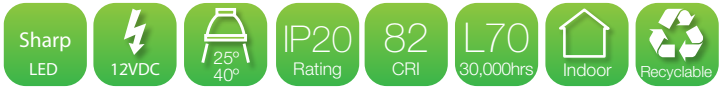
The PolarisTM series of spotlights for retrofit and replacement lamps represent the pinnacle of LED innovation and quality.

Our PolarisTM range:

- ◆ Uses ~80% less electricity than traditional light sources
- ◆ Lasts on average 17 times longer than other light sources
- ◆ Uses the latest in CREE, SHARP and Seoul Semiconductor (SSC) diode technology
- ◆ Have exceptional CRI & CCT values specifically designed to mirror traditional lighting characteristics
- ◆ Generates very little heat which reduces loads on air-conditioning, lessens fire risk and improves safety
- ◆ Contains no harmful or toxic substances and are fully recyclable
- ◆ Does not emit UV radiation
- ◆ Designed to fit in most incumbent fittings
- ◆ Most products have VEET & IPART approvals

Polaris XPH 7W with Adaptive Technology

ADAPTIVE HIGH INTENSITY MR16 SPOTLIGHT

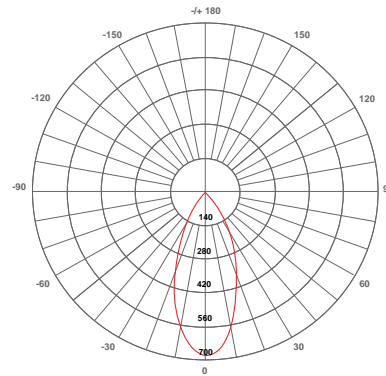


› PRODUCT INFORMATION

Lamp Base	MR16 (GU5.3)	
Measurements	<i>Diameter</i>	<i>Length</i>
	50mm	45mm
Light Source	Sharp	
Lens	Optical glass with glare reduction	
Housing	Aluminium heatsink	

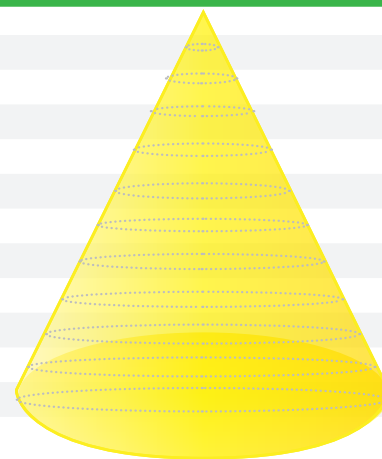
› TECHNICAL SPECIFICATIONS

Input Voltage	12VDC, 50/60Hz	
Dimmable	Yes	
Lifespan	30,000 hours	
Efficacy	61 lm/W	
Luminous Flux	500 lm	
Luminous Intensity	1,290 cd	
Power Factor	0.92	
Power	7W	
Beam Angle	25° / 40°	
CRI	82	
CCT	4,000K	Natural White
	3,000K	Warm White
	2,700K	Warm White 2



Beam Angle = 40°

Distance	Beam Angle = 40°	Diameter	Lux
(m)		(m)	(lx)
0.5		0.37	2,720.0
1.0		0.73	680
2.0		1.46	170
3.0		2.19	75.6
4.0		2.92	42.5
5.0		3.65	27.2
6.0		4.38	18.9
7.0		5.11	13.9
8.0		5.84	10.6
9.0		6.57	8.4
10.0		7.30	6.8



Adaptive Technology analyses and adapts to virtually any waveform and works with most transformers and dimmers.

› PRODUCT CODE BUILDER

e.g. PolarisXPH-AT7WMR16-W40

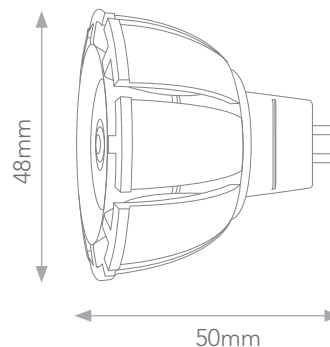
Product Range	Wattage	Lamp Base	CCT	Beam Angle
PolarisXPH-AT	7W	MR16	-N (Natural White)	25
			-W (Warm White)	40
			-W2 (Warm White)	





Polaris XP 7W Cree MTG Lamp

HIGH INTENSITY MR16 SPOTLIGHT

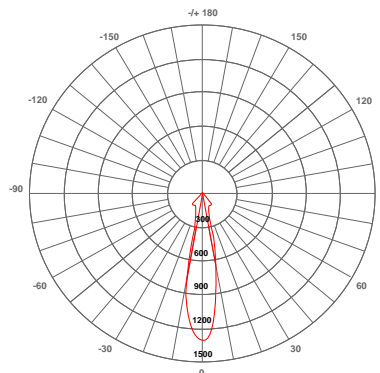


› PRODUCT INFORMATION

Lamp Base	MR16 (GU5.3)	
Measurements	Diameter (mm)	Length (mm)
	48mm	50mm
Light Source	CREE MT-G Platinum LED	
Lens	Optical grade glass (light transmission 97%+)	
Housing	Aluminium heatsink	

› TECHNICAL SPECIFICATIONS

Input Voltage	12VDC, 50/60Hz	
Dimmable	Yes	
Lifespan	30,000 hours	
Efficacy	69 lm/W	
Luminous Flux	480 lm	
Luminous Intensity	1,250 cd	
Power Factor	0.8	
Power	7W	
Beam Angle	32° / 54°	
CRI	82	
CCT	4,000K	Natural White
	3,000K	Warm White



Beam Angle = 32°

Distance	Beam Angle = 32°	Diameter	Lux
(m)		(m)	(lx)
0.5		0.28	4,800.0
1.0		0.55	1200.0
2.0		1.10	300.0
3.0		1.65	133.3
4.0		2.20	75.0
5.0		2.75	48.0
6.0		3.30	33.3
7.0		3.85	24.5
8.0		4.40	18.8
9.0		4.95	14.8
10.0		5.50	12.0

› PRODUCT CODE BUILDER

e.g. PolarisXP-7WMR16-W32

Product Range	Wattage	Lamp Base	CCT	Beam Angle
PolarisXP	-7W	MR16	-N (Natural White)	32
			-W (Warm White)	54



IES Files available at www.empyreanlighting.com/downloads

© Copyright Empyrean Lighting 2014





C Product Range

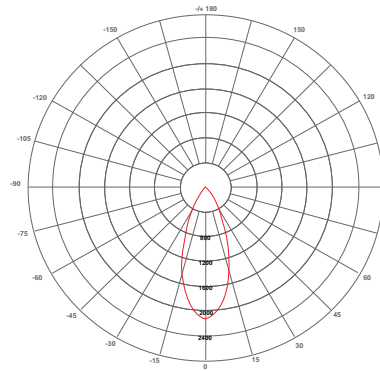
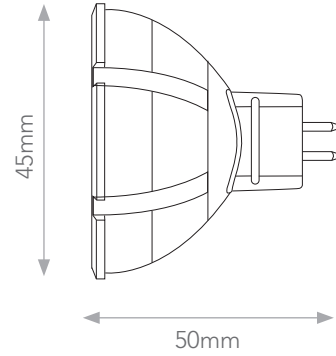
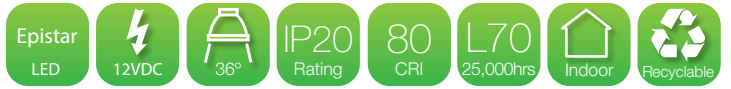


Our Polaris™ C range represents a high quality, mass market alternative for MR16 and GU10 retrofit or replacement applications. Using next generation LED diodes combined with cutting edge thermo-plastic heatsink technology, the Polaris™ C range delivers premium performance at a reduced cost.



© Copyright Empeyan Lighting 2014

MR16 SPOTLIGHT



Beam Angle = 36°

› PRODUCT INFORMATION

Product Codes	PolarisC-4WMR16-W36	
Lamp Base	MR16 (GU5.3)	
Measurements	<i>Diameter</i>	<i>Length</i>
	45mm	50mm
Light Source	Epistar LED	
Lens	Optical grade glass (light transmission 97% +)	
Housing	Thermo-plastic heatsink	

› TECHNICAL SPECIFICATIONS

Input Voltage	12VDC, 50/60Hz
Dimmable	No
Lifespan	25,000 hours
Efficacy	63 lm/w
Luminous Flux	250 lm
Power	4W
Beam Angle	36°
CRI	80
CCT	~2,700K Warm White





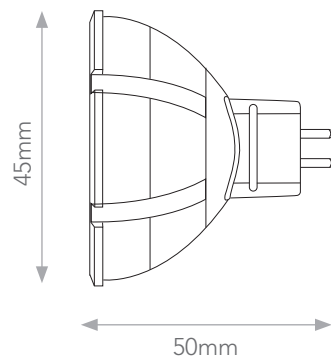
Polaris C 6W

MR16 SPOTLIGHT



- Epistar LED
- 12VDC
- 36°
- IP20 Rating
- 80 CRI
- L70 25,000hrs
- Indoor
- Recyclable

- N5433
- N26539
- cUL
- CE
- RoHS COMPLIANT

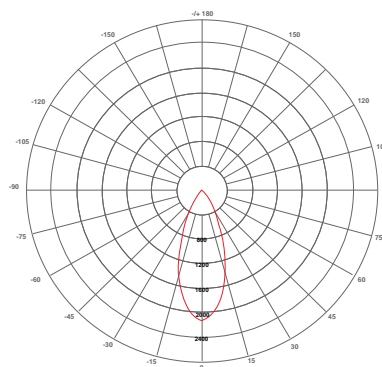


› PRODUCT INFORMATION

Product Codes	PolarisC-6WMR16-W36	
Lamp Base	MR16 (GU5.3)	
Measurements	<i>Diameter</i>	<i>Length</i>
	45mm	50mm
Light Source	Epistar LED	
Lens	Optical grade glass (light transmission 97% +)	
Housing	Thermo-plastic heatsink	

› TECHNICAL SPECIFICATIONS

Input Voltage	12VDC 50/60Hz
Dimmable	No
Lifespan	25,000 hours
Efficacy	63 lm/w
Luminous Flux	380 lm
Power	6W
Beam Angle	36°
CRI	80
CCT	~2,700K Warm White



Beam Angle = 36°



IES Files available at www.emyreanlighting.com/downloads

© Copyright Emyprean Lighting 2014

