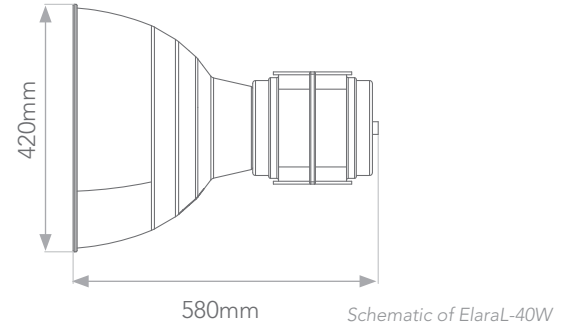


Elara – Long Neck

DECORATIVE HIGH BAY



› PRODUCT INFORMATION

Measurements	Height	Diameter
	580mm	420mm
Light Source	Nichia High Power LED	
Lens	Customisable** IESNA Type I,II,III,V distribution	
Housing/ Trim	Aluminium alloy, Available in any RAL colour	

› TECHNICAL SPECIFICATIONS

Input Voltage	85-277VAC, 50/60Hz	
Lifespan	50,000hrs	
Power	40W - 120W	
Beam Angle	15° - 150° (Varied by lens)	
CRI	65 - Higher CRI is available	
CCT*	5,000-5,500K	Cool White
	4,200K	Natural White
IP	66	

* Refer to Andromeda™ for custom CCT options (Warm, AQ etc.)

** Refer to Andromeda™ Lens (page 9) for details

		40W	53W	67W	80W	93W	106W	120W
COOL WHITE	Efficacy	105 lm/W	105 lm/W	110 lm/W	110 lm/W	110 lm/W	110 lm/W	110 lm/W
	Luminous Flux	4,200 lm	5,565 lm	7,370 lm	8,800 lm	10,230 lm	11,660 lm	13,200 lm
NATURAL WHITE	Efficacy	100 lm/W	100 lm/W	105 lm/W	105 lm/W	105 lm/W	105 lm/W	105 lm/W
	Luminous Flux	4,000 lm	5,300 lm	7,035 lm	8,400 lm	9,765 lm	11,130 lm	12,600 lm

› PRODUCT CODE BUILDER

e.g. ElaraL-40W-NL81W

Product Range	Power	CCT	Lens	Trim
ElaraL	-40W	-C (Cool White)	L40	S (Silver)
	-53W	-N (Natural White)	L42	W (White)
	-67W		L61	B (Black)
	-80W		L64	R (Red)
	-93W		L81	G (Green)
	-106W			B (Blue)
	-120W			C (Custom)



IES Files available at www.empyeanlighting.com/downloads