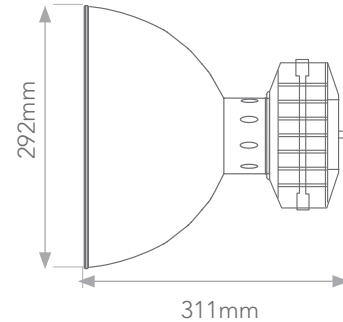


Elara – Short Neck

DECORATIVE HIGH BAY



Schematic of ElaraS-40W

› PRODUCT INFORMATION

Measurements	Height	Diameter
40W	311mm	292mm
80W	406mm	412mm
120W	461mm	480mm
Light Source	Nichia High Power LED	
Lens	Customisable** IESNA Type I,II,III,V distribution	
Housing/ Trim	Aluminium alloy, Available in any RAL colour	

› TECHNICAL SPECIFICATIONS

Input Voltage	85-277VAC, 50/60Hz	
Lifespan	50,000 hours	
Power	40W, 80W, 120W	
Beam Angle	15° - 150° (Varied by lens)	
CRI	>65 - Higher CRI is available	
CCT*	5,000-5,500K	Cool White
	4,200K	Natural White
IP	66	

* Refer to Andromeda™ for custom CCT options (Warm, AQ etc.)

** Refer to Andromeda™ Lens (page 9) for details

		40W	80W	120W
COOL WHITE	Efficacy	105 lm/W	110 lm/W	110 lm/W
	Luminous Flux	4,200 lm	8,800 lm	13,200 lm
NATURAL WHITE	Efficacy	100 lm/W	105 lm/W	105 lm/W
	Luminous Flux	4,000 lm	8,400 lm	12,600 lm

› PRODUCT CODE BUILDER

e.g. ElaraS-40W-NL81S

Product Range	Power	CCT	Lens	Trim	
ElaraS	-40W	-C (Cool White)	L40	S (Silver)	
	-80W	-N (Natural White)	L42	W (White)	
	-120W			L61	B (Black)
				L64	R (Red)
				L81	G (Green)
					B (Blue)
			C (Custom)		



IES Files available at www.empyreanlighting.com/downloads

© Copyright Empyrean Lighting 2014

