

Vega™ SA - 4" & 6"

SPOT ADJUSTABLE DOUBLE HINGED

EDISON			IP20	90	L70		
LIGHT SOURCE	85-265VAC	BEAM ANGLE	RATING	CRI	35,000 HRS	INDOOR	RECYCLABLE



PRODUCT INFORMATION



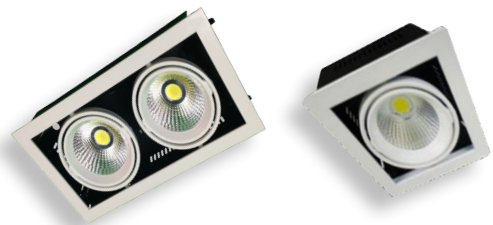
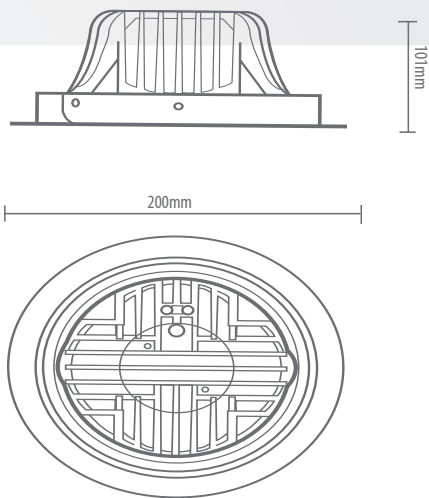
DIMENSIONS	DIAMETER	DEPTH	CUT OUT RANGE
4"	160MM	71MM	148MM
6"	200MM	101MM	190MM

LIGHT SOURCE Edison LED Chip
LENS Optical Grade Glass
HOUSING Aluminium
TRIM Silver, White, Black, Optional

TECHNICAL SPECIFICATIONS

INPUT VOLTAGE	85-265VAC, 50/60HZ
DIMMABLE OPTIONAL	Optional (with Tridonic™ Dali Dimming)
LIFESPAN	35,000 hours
POWER	28W, 38W
BEAM ANGLE	24°
CRI	90
CCT	6,000K Cool White 4,000K Natural White 3,000K Warm White

SCHEMATIC OF VEGA ADJUSTABLE 4"



Also available in single (28W or twin (58W) box fitting

OUTPUT

		28W	38W
COOL	Efficacy	79 lm/W	79 lm/W
WHITE	Luminous Flux	2,200 lm	3,000 lm
NATURAL	Efficacy	75 lm/W	76 lm/W
WHITE	Luminous Flux	2,100 lm	2,900 lm
WARM	Efficacy	71 lm/W	73 lm/W
WHITE	Luminous Flux	2,000 lm	2,800 lm

PRODUCT CODE BUILDER

E.G. VEGASA-4W228W-ND

PRODUCT CODE	SIZE (INCH)	TRIM	BEAM ANGLE	POWER (W)	CCT	DIMMING
VEGASA	-4	S (Silver)	2 (24°)	28	C (Cool White)	-ND (Non-Dimmable)
	-6	W (White)		38	N (Natural White)	-D (Dimmable)
		B (Black)			W (Warm White)	-TD (Tridonic Dali Dimmable)
		O (Optional)				