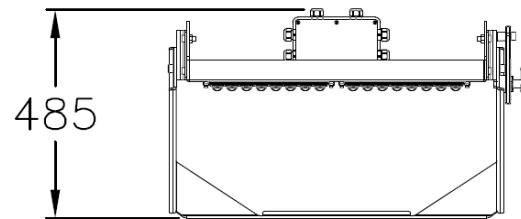
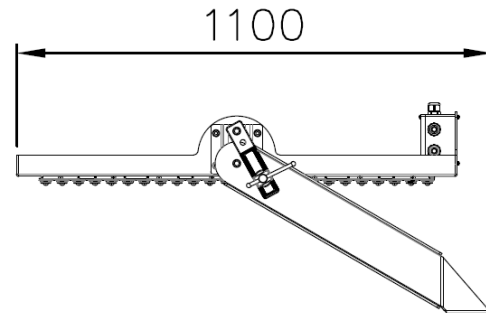
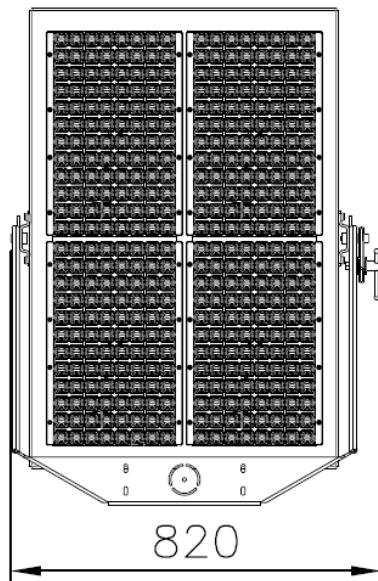


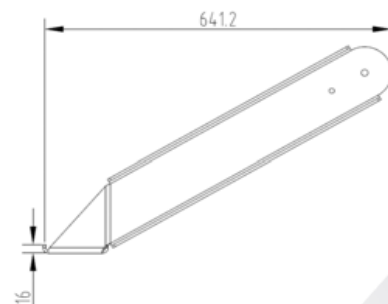
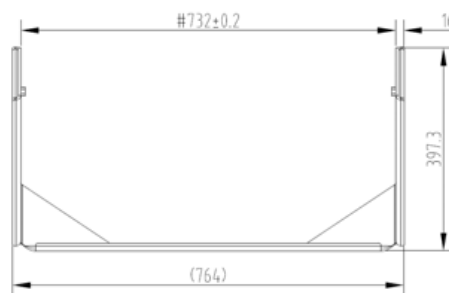
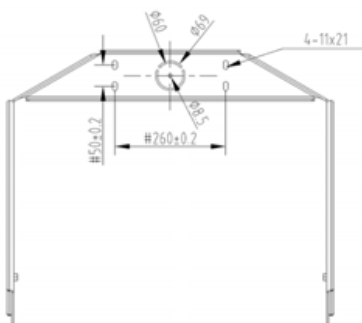
SCHEMATICS

Andromeda™

Andromeda-C-HMast-1000



Bracket Dimensions



Product Code	Andromeda-C-HMast-1000W
Product Dimensions	1100mmL x 820mmW x 485mmD
Weight	67kg