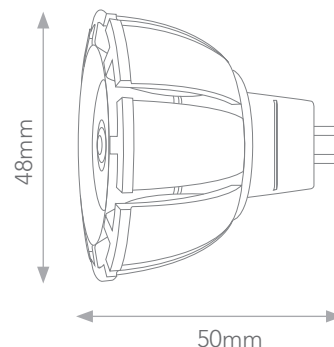


# Polaris XP 7W Cree MTG Lamp



## HIGH INTENSITY MR16 SPOTLIGHT

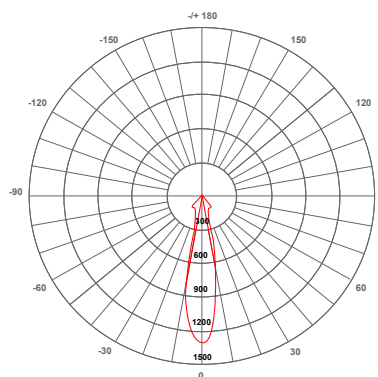


### PRODUCT INFORMATION

Lamp Base	MR16 (GU5.3)
Measurements	Diameter (mm)      Length (mm)
	48mm                      50mm
Light Source	CREE MT-G Platinum LED
Lens	Optical grade glass (light transmission 97%+)
Housing	Aluminium heatsink

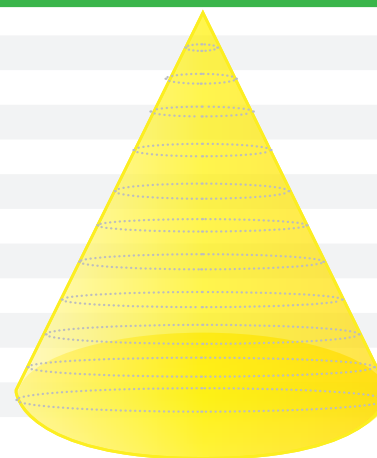
### TECHNICAL SPECIFICATIONS

Input Voltage	12VDC, 50/60Hz
Dimmable	Yes
Lifespan	30,000 hours
Efficacy	69 lm/W
Luminous Flux	480 lm
Luminous Intensity	1,250 cd
Power Factor	0.8
Power	7W
Beam Angle	32° / 54°
CRI	82
CCT	4,000K    Natural White 3,000K    Warm White



Beam Angle = 32°

Distance	Beam Angle = 32°	Diameter	Lux
(m)		(m)	(lx)
0.5		0.28	4,800.0
1.0		0.55	1200.0
2.0		1.10	300.0
3.0		1.65	133.3
4.0		2.20	75.0
5.0		2.75	48.0
6.0		3.30	33.3
7.0		3.85	24.5
8.0		4.40	18.8
9.0		4.95	14.8
10.0		5.50	12.0



### PRODUCT CODE BUILDER

e.g. PolarisXP-7WMR16-W32

Product Range	Wattage	Lamp Base	CCT	Beam Angle
PolarisXP	-7W	MR16	-N (Natural White)	32
			-W (Warm White)	54



IES Files available at [www.empyreanlighting.com/downloads](http://www.empyreanlighting.com/downloads)

© Copyright Empyrean Lighting 2014

